

BAHAMA[®]

Magnum





MAGNificent...

BAHAMA®

Bahama

Founded in 1950 today Bahama designs and manufactures a great variety of high-quality large-size parasols and sunsails. National and International customers alike trust in our industrial technology and accurate workmanship. The premium products from Bahama characteristically stand for technical attributes like compactness, durability and wind stability but also for aesthetical features like beautiful designs and materials.

»Made in Germany« – our full range production facility manufactures nearly all parts in house. Bahama further processes sustainable and environmentally friendly materials according to the OEKO-TEX 100 standard, Class 1. The combination of high-quality materials and the structural features allows Bahama to guarantee wind stability for its products, depending on the model, of up to 130 km/h.

And most importantly: we love customer service – from consulting to installation, from cleaning to winter storage and maintenance.

**Discover the possibilities of an extended outdoor season.
No matter what the weather. Just get to know us!**

The Heart of it All

Magnum is our premium model with the largest covered space ranging from 37 m² to 140 m² and many possibilities of additional features. The features can be individually combined depending on price expectations and technical requirements. All components of the structure are designed for exposure to enormous loads. Stability at wind speeds of up to 130 km/h is guaranteed.

- * 11 different standard sizes ranging from 37 m² to 140 m²
- * Round and square models
- * Great variety of additional features, such as textile gutters, LED lighting, heating, speakers, TV, Wi-Fi and much more
- * Membrane made of polyester with PVC coating
- * Ideally suited for permanent opening of the parasol
- * Depending on model opening and closing per crank or geared motor
- * Standard frames in a RAL color of choice
- * Perfect, lasting tension as the textile membrane is integrated into the spokes
- * Large, contemporary selection of colors
- * Excellent UV-protection UPF 50+
- * Absolutely waterproof
- * Numerous possibilities for printing on the textile membranes
- * Newest generation of infrared radiators that can remain in the closed parasol
- * Weight depending on the parasol size: approx. 775 – 1,655 kg
- * Wind stability up to a maximum of wind force 12 | 130 km/h



Product Information

1 Textile membrane with PVC coating

Some locations or conditions require that the membrane is extremely robust and resilient. This includes the degree of flammability, amongst other things (DIN 4102-B1).

Brand Name: Precontraint 502 Satin

PVC coated Polyester 1100 Dtex.
SERGE FERRARI PRECONTRAIINT® coating technology

Grammage of approx. 570 g/m²

Excellent UV-protection UPF 50+
protects against harmful UV radiation

Highest degree of fabric lightfastness

Heat-sealed segments, 100% waterproof

Fire retardant (DIN 4102-B1)

Exceptional surface stability and tear resistance

Durable, robust, dirt-repellant and stable in all weather conditions

Own cleaning possibility due to increased dirt accumulation through leaves, tree sap, bird-droppings, car exhaust or dust

Recyclable

40 contemporary colors

Printable with the most modern printing process



2 Parasol Frame

The difference may not be obvious at first sight: but the large-size parasols from Bahama have an inner and an outer pole that optically come together to form one center pole. Better sturdiness also means better stability and the corresponding safety.

Center pole with Outer and Inner pole

Extra stability through extruded, internally strengthened and profiled aluminum center pole

Pole diameter approx. 220 mm, wall thickness approx. 10 mm

Impact and scratch resistant due to PES powder-coated center pole, post-baked

Standard frame in custom color according to RAL

Resin components in white or black

Cylindrical lock on the crank insert and, if necessary, on the motor cover prevent unauthorized opening and closing

Spokes, Support Spokes, Bearings and Hinges

The quality of a parasol can only be as good as its supporting and connecting parts.

All aluminum parts pickled, powder-coated, fired at approx. 190°C

Bolts, screws and other functional parts made of V2A stainless steel

No plastic parts used

With hollow seam for spoke membrane integration

Individually exchangeable spokes and support spokes

Specific technical details

Equipped with a twist lock (figure 2.1)

Twist lock prevents distortion of the lifting pole; important in the case of extreme gusts of wind and for optimum membrane tension

Necessary installation technology

The use of a mobile crane is needed for the installation because of the parasol's weight (figure 2.2). The Bahama mechanics are specially trained and particularly experienced for this task.



Product Information



3 Motorization

Larger parasols are operated as standard with a motor (round from a diameter of 11 m, square from 10 m). Smaller models can be optionally equipped with a motor.

Electric motor drive - 400 V/3-phase geared motor

Helical-bevel geared motor

Motor with heating tape AC 230V

Weight: approx. 20 kg

Corrosion protection

0.75 kW

IP 155(F)/66



4 Installation Options | Foundation element

Structural measures are required for the installation of the foundation element that need to be taken into consideration during the planning phase.

Lower part to be set in concrete

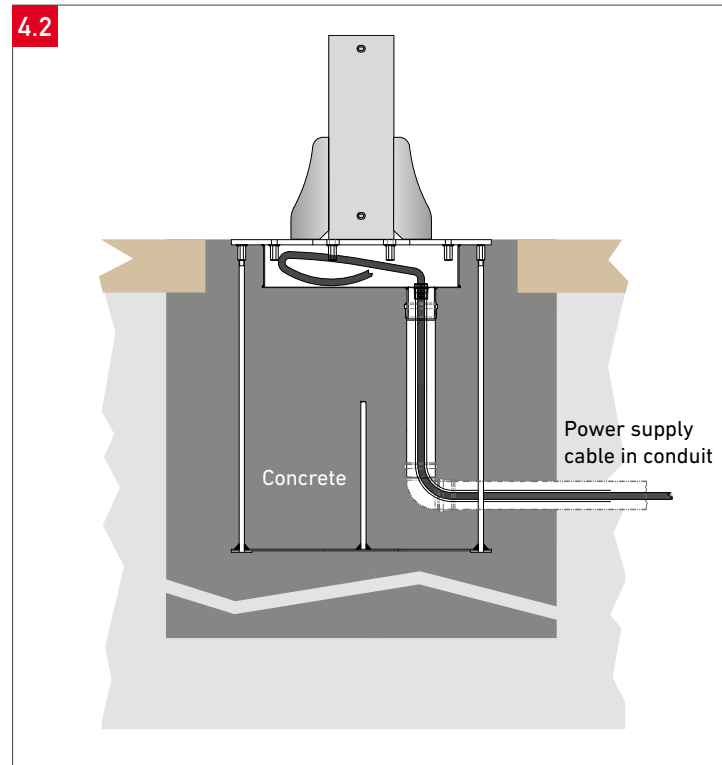
Galvanized upper frame

With an aluminum chequer cover plate when the parasol is dismantled

Weight approx. 130-240 kg depending on the size

Dimensions of the foundation element:
83 × 83 × 100 cm; 100 × 100 × 120 cm

Comparable element for parasols with electrical installations and heating (figure 4.2)



5 Transport Packaging

The parasols leave our production facility in perfect condition. To ensure they arrive in perfect condition, they are delivered in specially designed transport constructions. The large-size parasol is transported suspended in a steel or wood fixture due to its weight.

Additional Features



1 Printing

The Bahama UV printer uses 9 color channels. Only lightfast and highest quality inks are used to ensure color accuracy of fonts, logos and emblems, which are positioned with millimeter precision. The membrane segments are heat sealed together after printing.

No fading due to highly UV-resistant colors

Optimal advertising impact

Individual printing of the textile membranes



2 Extra Protection V4A | Maritime Edition

Optional off-shore stainless steel version »maritime«. Cannot be retrofitted.

All component parts made of a special alloy V4A stainless steel

Developed for use near the seaside

Especially durable

3 Textile Gutters

Not only rain falls from the sky, bird droppings or wet leaves are often bothersome, too. To attain one entirely closed area the individual parasols can be connected by a textile gutter creating a coherent covering that is optically appealing.

Gutter with a gradient for water runoff

Fastening with carabiners and chains

Stability due to rods inserted into the hollow seams

Colors matching the textile membrane

Optically appealing unit of parasol and gutter

High waterproofness

Protection against rain, bird droppings and leaves



Frame Modification

The modification of the parasol frame is necessary (all spokes); threaded sockets are embedded in the spoke profile

Additional Features

4 Side Panels

There is no more tossing a coin to figure out who has to sit at the edge of the parasol when the weather isn't behaving. The quickly and easily unrolled »side panels« not only protect you from sudden rain showers, but also against the cold and wind. Through this possibility of creating a boundary, they provide a feeling of secure comfort.

Made completely of textile fabric with or without flexible windows of 0.5 mm strong Polyglass (picture 4)

With a zipper for joining two side panels (figure 4.1)

High waterproofness

Stability due to rods inserted into the hollow seams

Drip edge on the ground made of PVC-coated fabric, Preconstraint 705-1070 (picture 4.2)

Quick and easy to use; just hook it in (picture 4.3)

Light-permeable for a cozy atmosphere

Protection against rain, wind and the cold

Temporary room solutions for individual event e.g. weddings, street parties, company festivities or to create a smoking area

Visual protection for unsightly surroundings like storage areas, clutter in the neighborhood, structural defects etc.

Protected seating area

Keeps a constant temperature of ambient air, especially in combination with heating radiators

Frame Modification

Modification of the parasol frame is necessary (per spoke); pre-fitting of eye screws with a threaded pin on the spoke profile (no drill hole)

OPTIONAL

Connecting piece for joining the side panels of 2 parasols (picture 4.3)



Additional Features

5 Lighting | LED Lighting

There are moments when time flies by. The sun was just shining and now twilight has set in. The »light« installed in the parasol creates a uniform and pleasant atmosphere, that turns the night into day and lets you forget the time.

Economical energy consumption, due to LED light bulbs or LED strips

All wiring is inside; no tangled cables

Appealing lighting condition extends outdoor season

Creates a warm and inviting atmosphere

Pleasant working atmosphere for service personnel

Lighting

8 LED-light bulbs

Light temperature 2700 K

8 × 4 W light power

240 V (available in US edition - 120 V)

OPTIONAL

External control unit with FI-switch and on/off switch for each individual electromechanical option

LED-Lighting

8 or 10 (in case of 12.0 × 12.0 m) RGB LED strips

Indirect RGB LED lighting 120 - 240/24V

Dimmable with remote control

With control unit

Integrated into parasol spokes

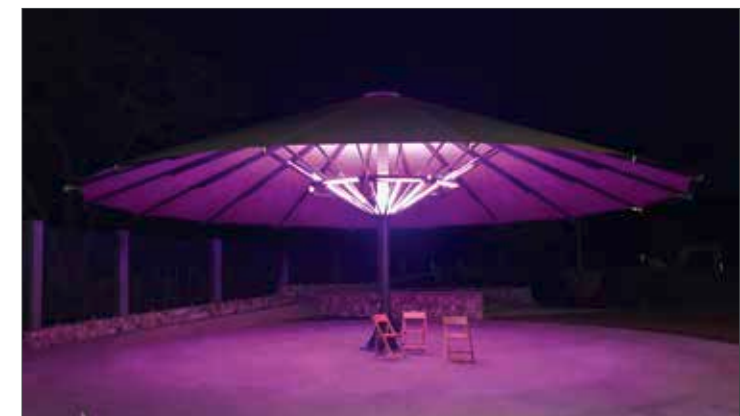
Color sequences | 16 pre-programmed colors, including warm and cold white

With pre-fitting of the installation console for the power supply

OPTIONAL

16 or 20 (in case of 12.0 × 12.0 m) RGB-LED stripes

External control unit with FI-switch and on/off switch for each individual electromechanical option



Additional Features



6 Heating

The »radiator« creates pleasant warmth by emitting infrared rays – without any pre-heating. When several are installed they can also be individually turned on or off. Even a cold ambient temperature is not perceived as unpleasant due to the direct warmth people feel. Use our heating option to defy frosty seasons and cool evenings.

Extended outdoor season; year-round outdoor living

8 or 10 (in case of 12.0 × 12.0 m) electrical, turnable infrared radiators (available in US edition)

Remote control can regulate 6 levels

1500 watts per radiator

Long-lasting »Ultra Low Glow« heating tube

With a turnable mount; can remain in closed parasol

OPTIONAL

External control unit with FI-switch and on/off switch for each individual electromechanical option

7 Speakers

Music is much more than just an acoustical backdrop. An installed »audio system« can create very different atmospheres, in which people can have a lively celebration or simply relax after work – depending on desire and mood.

Audio system integrated into the frame

Optionally with one or two speakers

OPTIONAL

External control unit with FI-switch and on/off switch for each individual electromechanical option



6

8 TV

Who likes sitting alone at home in front of the TV? Especially not when everyone is outdoors watching the same thing. The additional feature »TV« gives outdoor screening a community spirit with a great deal of fun.

Frame Modification

Stable, light-weight mount

Installation for 1 or 2 screens per parasol

Standard TV mounting console in parasol with VESA-Norm 200 for a maximum screen size of 42 inches (picture 8)

240 V power connection for 1 or 2 TVs on the mounting console (available in US edition – 120 V)

Network connection CAT 7 inside the electric crown unit

OPTIONAL

External control unit with FI-switch and on/off switch for each individual electromechanical option

9 Wifi

These days it already seems a matter of course that customers are offered free public Wifi. Installing a »Wifi Network« is not merely providing an additional service, it also attracts and keeps customers.

Only possible in combination with LED-Lighting option

Internal CAT7 wiring

Integrated CAT7 RJ45 network interface to be connected inside the in-ground installation

Internal power supply of the 24V DC router

Wifi Outdoor Access Point TP-Link EAP110 mounted onto center pole via weatherproof case



8

Handling

The models with dimensions up to a diameter of 10 m (round) or 9.3 x 9.3 m (square) are opened and closed using a hand crank with the aid of a reduction gear. All other sizes are generally motorized, but also have a hand crank. Anyone generally wanting to make life easier can also equip any smaller model size with a motor and avoid using a crank.

OPENING

- Insert the key and turn it to the right in the OPEN direction (figure 1)
- Or: Insert the hand crank in the slot provided and turn it clockwise

CLOSING

- Insert the key and turn it to the left in the CLOSE direction (figure 1)
- Or: Insert the hand crank in the slot provided and turn it counter-clockwise. Should you intend to keep the parasol closed for a longer period, attach the safety strap

The excellent appearance and the technical features of the textile membrane can be maintained by adhering to the following closing procedures:

Always pull the tips of the fabric to the outside of a closed parasol

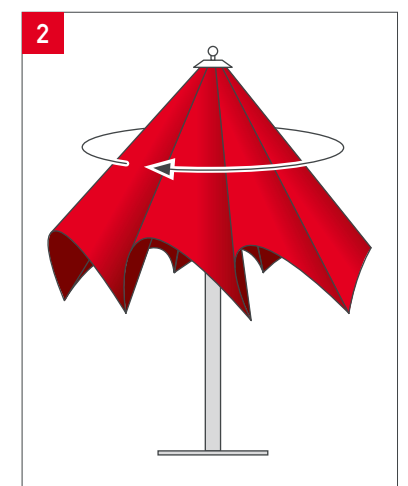
Do not store the parasol with any fabric stuck between the spokes and support spokes

Spirally wrap the fabric around the center pole (picture 2)

Wrap the safety strap around the parasol to secure the fabric



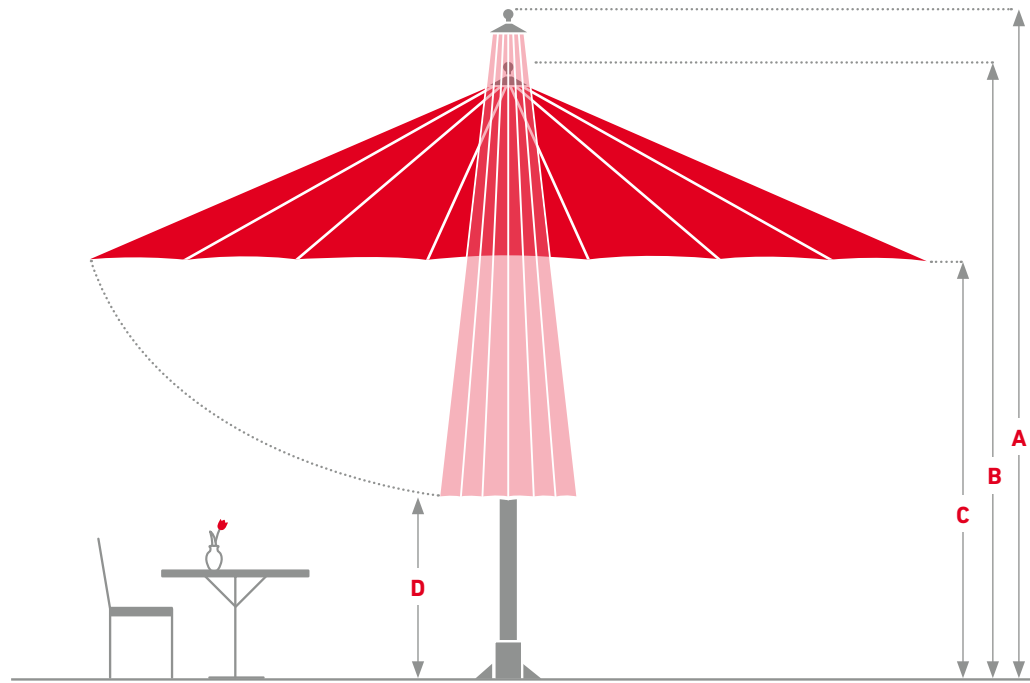
1



2

Dimensions & Technical Data

Magnum



All measurements are approximate

	Ø 7.0 m 16 Spokes	Ø 8.0 m 16 Spokes	Ø 9.0 m 16 Spokes	Ø 10.0 m 16 Spokes	Ø 11.0 m 16 Spokes	Ø 12.0 m 16 Spokes
Area in m ²	37	48	61	76	92	109
Parasol weight in kg	775	845	910	1120	1285	1465
A Height closed in cm	640	659	713	735	785	840
B Height opened in cm	418	443	468	491	515	585
C Passage height in cm	258	264	267	268	272	295
D Ground clearance in cm	239	227	238	193	190	191
Max. permitted wind velocities fully opened parasol, km/h Permanent	130	130	130	130	130	130

All measurements are approximate

	7.0 × 7.0 m 16 Spokes	8.0 × 8.0 m 16 Spokes	9.3 × 9.3 m* 16 Spokes	10.0 × 10.0 m* 16 Spokes	12.0 × 12.0 m* 20 Spokes
Area in m ²	49	64	84	97	140
Parasol weight in kg	795	840	985	1275	1655
A Height closed in cm	683	749	768	797	929
B Height opened in cm	451	484	508	519	595
C Passage height in cm	276	285	276	278	296
D Ground clearance in cm	162	157	156	134	124
Max. permitted wind velocities fully opened parasol, km/h Permanent	130	130	130	130	130

Good to know

Made in Germany

Bahama's customers always refer back to the great importance of our German production facilities. »Made in Germany« is still a unique selling point and a reason to buy. Bahama's full range production facility is located in Germany.

The combination of the highest quality materials and structural features allows Bahama to guarantee the wind stability of its products, depending on the model, up to 130 km/h. In addition to the technical details of the parasol, it is especially the lightfastness of the fabrics' colors, the water-proofness and grammage as well as the water column of the textile membranes which make Bahama top of its class. Trust is placed in Bahama by luxury hotels such as the Burj Al Arab in Dubai, the Hotel Sacher in Vienna and the Dalí Museum in St. Petersburg, USA.

UV-Protection

Analogous to the sun protection factor/SPF all textiles are labeled with the ultraviolet protection factor/UPF. Built into the fabric it protects against hazardous UV radiation. This material fulfills the requirements for UPF 50+, which indicates an »excellent« dermatological UV protection factor and allows less than one fiftieth (<2%) of the UV radiation through the textile membrane onto the skin.

Service

Service greatly influences the life span of a parasol. The exchangeable textile membrane of a Bahama parasol can – after being exposed to all sorts of weather conditions for years – be cleaned or replaced. Our service makes a full technical and general overhaul of the product such that they not only look attractive, but can defy the strongest of winds.

No matter where you need Bahama's service, the Bahama team or one of our expert partners will be glad to help – worldwide.

Careful and individual planning

Installation of new parasols

Fitting of new textile membranes

Complete service i.e. assembling and disassembling the large parasols, washing, cleaning and maintenance of the frame and textile membranes

Membrane service, i.e. fitting and removing the textile membrane, cleaning and repairing

Technical trainings





01/2021

BAHAMA[®]